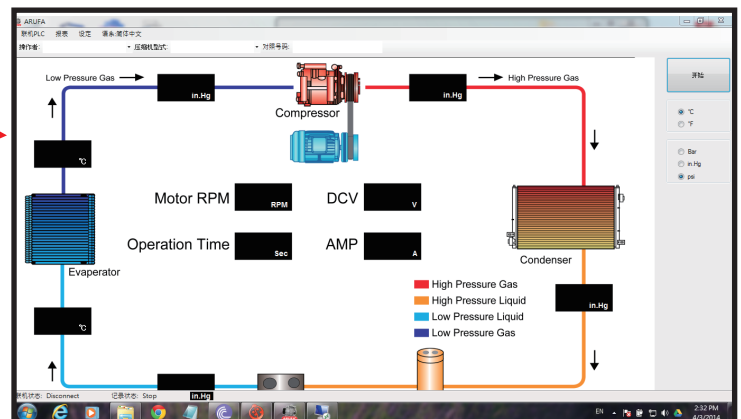


TEST & ANALYZE SYSTEM

Like TB-02, TB-04 is a self-contained automotive a/c system in which contains condenser unit & evaporator unit. Users can easily to test a compressor within minutes without recovering the full a/c system. (Please see TB02 for more information)

TB-04 integrates computer and digital sensors & gauges into TB02. These help engineers to analyze the system data easier. Anakool software helps for recording test results into database. Printing function is also good for customer reference.



Scan the barcode for Video Demo.



Dimension

A : 1550mm
B : 800mm
C : 1560mm

input Power

AC 220V 3 ϕ 50/60 Hz
20A/4500W(MAX.)



YII TEAN ENTERPRISES CO., LTD

TEL : +886-2-8792-4095
web site : www.arufa.com.tw

FAX : +886-2-8792-2487
e-mail : info@yitean.com.tw